

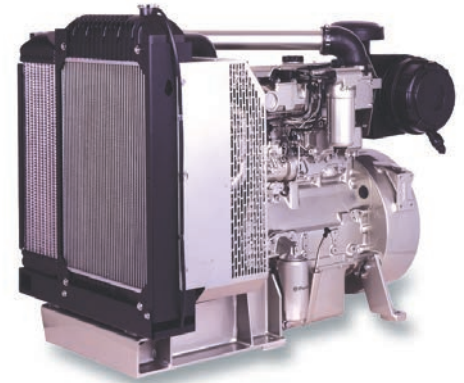
1100 Series 1104C-44TA Industrial Open Power Unit

97 kW / 130.1 hp

The Perkins® 1100 Series family of IOPU engines boasts unsurpassed productivity levels.

By combining the market leading 1100 Series engine with a matched cooling and air filtration pocket, Perkins is confident that our engines will meet increasing customer demands. The 1100 Series range provides customers with a compact and self-contained engine package, that optimises performance and maximises value.

Perkins has transformed the threat of new emission laws into the opportunity to develop an engine with improved performance and reliability. Not only does the 1106 comply to USA EPA Tier 2 and EU Stage II off-highway emissions legislation, it also exceeds customer expectations on performance. Perkins has consequently created a unique, customer inspired engine family which is undoubtedly a benchmark within the diesel engine market.



Specification		
Number of cylinders	4 in-line	
Bore and stroke	105 x 127 mm	4.1 x 5.0 in
Displacement	4.41 litres	269 in ³
Aspiration	Turbocharged, air to air charge cooled	
Cycle	4 stroke	
Combustion system	Direct injection	
Compression ratio	18.2:1	
Rotation	Anti-clockwise, viewed on flywheel	
Total lubricating capacity	7.4 litres	2.0 US gal
Cooling system	Pressurised coolant	
Total coolant capacity	12.6 litres	3.3 US gal

www.perkins.com

Photographs are for illustrative purposes only and may not reflect final specification. All information in this document is substantially correct at time of printing and may be altered subsequently. Final weight and dimensions will depend on completed specification.

Publication No. PN1696/11/15 Produced in England ©2014 Perkins Engines Company Limited

 **Perkins®**

THE HEART OF EVERY GREAT MACHINE

1100 Series 1104C-44TA Industrial Open Power Unit

97 kW / 130.1 hp

Features and benefits

Class leading performance

- The 1104C-44TA boasts an even higher torque capacity than its successful predecessor
- The new mechanical engine has 36% more low speed torque back-up increased by 30%

Cleaner and quieter

- Extensive combustion research has resulted in an engine that operates with smoke levels barely visible to the naked eye
- Perkins innovative Eco-filtration system combines high quality construction with a re-usable canister, a disposable inner element and a simpler service process
- Developments in numerous individual components such as a new cylinder block design and alterations to the gear train have resulted in reduced noise levels
- Improvements of up to 3dBA in bare engine noise over its predecessor

Quality by design

- Improvements to all aspects of engine production have resulted in a higher level of engine performance, enhanced reliability and greater durability
- Improved manufacturing processes have simplified sub-assemblies and improved joint and sealing technology

Ease of installation

- The carryover of the existing envelope size and mounting points makes installation easy
- The addition of a matched radiator to the IOPU engine package allows the engine to run at its optimum performance level

Lower operating costs

- Service intervals have doubled and are now set at 500 hours as standard
- Improved fuel economy by as much as 6% over its predecessor
- **Warranties and Service Contracts**

We provide one-year warranties for constant speed engines and two-year warranties for variable speed models, as standard. These are supported by multilevel Extended Service Contracts that can be bought additionally
Discover more: www.perkins.esc

Product support

- Perkins actively pursues product support excellence by ensuring our distribution network invest in their territory – strengthening relationships and providing more value to you, our customer
- Through an experienced global network of distributors and dealers, fully trained engine experts deliver total service support around the clock, 365 days a year. They have a comprehensive suite of web based tools at their fingertips covering technical information, parts identification and ordering systems, all dedicated to maximising the productivity of your engine
- Throughout the entire life of a Perkins engine, we provide access to genuine OE specification parts and service. We give 100% reassurance that you receive the very best in terms of quality for lowest possible cost .. wherever your Perkins powered machine is operating in the world
- To find your local distributor: www.perkins.com/distributor

www.perkins.com

Photographs are for illustrative purposes only and may not reflect final specification.
All information in this document is substantially correct at time of printing and may be altered subsequently.
Final weight and dimensions will depend on completed specification.

Publication No. PN1696/11/15 Produced in England ©2014 Perkins Engines Company Limited

 **Perkins**[®]

THE HEART OF EVERY GREAT MACHINE

1100 Series 1104C-44TA Industrial Open Power Unit

97 kW / 130.1 hp

Technical information

- Cast iron engine block
- Flywheel housing SAE3
- Flywheel
- Ecoplus fuel filter
- Spin-on oil filter
- Glow plug starting aid
- 12 or 24 volt alternator
- 12 or 24 volt starter motor
- LHS PTOs – 37 kW
- Puller and pusher fans
- Radiator incorporating air-to-air charge cooler
- Lub oil sump steel, flat-bottomed with dipstick on lhs
- Balancer or non-balancer
- Integral Inlet manifold
- Gear driven coolant pump
- Oil filler – middle of top cover

Option groups

In order to meet the varying demands of our individual customers, Perkins provide a wide selection of optional items. These enable companies to produce a customised end product, precisely matched to their needs.

www.perkins.com

Photographs are for illustrative purposes only and may not reflect final specification.
All information in this document is substantially correct at time of printing and may be altered subsequently.
Final weight and dimensions will depend on completed specification.

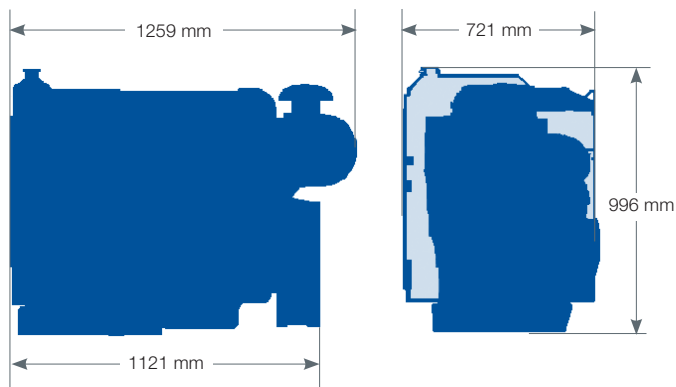
Publication No. PN1696/11/15 Produced in England ©2014 Perkins Engines Company Limited

 **Perkins**[®]

THE HEART OF EVERY GREAT MACHINE

1100 Series 1104C-44TA Industrial Open Power Unit

97 kW / 130.1 hp



Engine package weights and dimensions		
Length	1259 mm	50 in
Width	721 mm	28.4 in
Height	996 mm	39.2 in
Weight (dry)	500 kg	1100 lb

www.perkins.com

Photographs are for illustrative purposes only and may not reflect final specification.
All information in this document is substantially correct at time of printing and may be altered subsequently.
Final weight and dimensions will depend on completed specification.

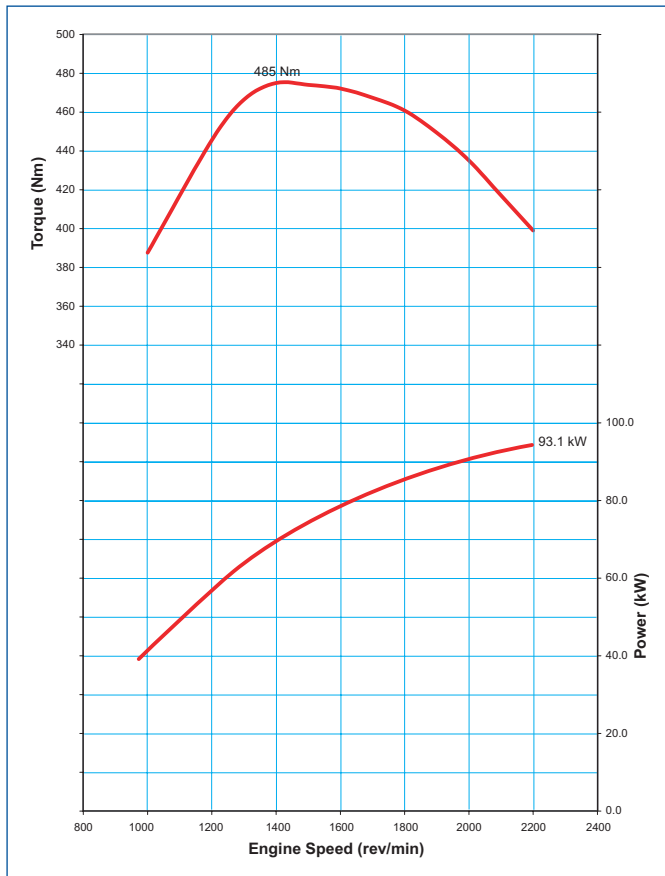
Publication No. PN1696/11/15 Produced in England ©2014 Perkins Engines Company Limited

 **Perkins**[®]

THE HEART OF EVERY GREAT MACHINE

1100 Series 1104C-44TA Industrial Open Power Unit

97 kW / 130.1 hp



Engine performance	Net intermittent	Speed rpm	Net continuous	Speed rpm
Max power (kW)	97.0	2200	83.8	2200
Max power (hp)	130.1	2200	112.4	2200
Max torque (Nm)	500	1400	436.0	1400
Max torque (lbf·ft)	289	1400	232.0	1400

Power for a run-in engine after 60 hours

Rating standard ISO/TR 14396

www.perkins.com

Photographs are for illustrative purposes only and may not reflect final specification. All information in this document is substantially correct at time of printing and may be altered subsequently. Final weight and dimensions will depend on completed specification.

Publication No. PN1696/11/15 Produced in England ©2014 Perkins Engines Company Limited



THE HEART OF EVERY GREAT MACHINE