

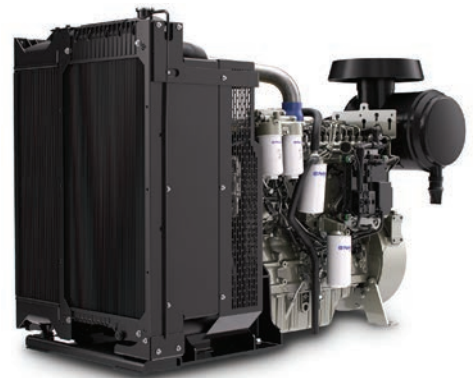
1100 Series 1106D-E70TA IOPU

116-205 kW / 156-275 hp

Designed to meet European EU Stage IIIA / U.S. EPA Tier 3 emissions, the Perkins® 1106D-E70TA is the latest addition to the common platform concept of 1100 Series diesel engines.

This new engine will give you increased delivered power, torque and noise reduction. These improvements have been achieved through changes to the manifold and combustion areas, turbocharger geometry, increased cylinder displacement and significantly, the inclusion of a high pressure, common rail fuel system.

The 1104D IOPU range of engines have a complete fuel system, air cleaner and radiator fitted as standard along with a choice of mechanical or electronic control system, making these the ultimate power solution.



Specification		
Number of cylinders	6 vertical in-line	
Bore and stroke	105 x 135 mm	4.13 x 5.3 in
Displacement	7.01 litres	427.7 in ³
Aspiration	Turbocharged aftercooled	
Cycle	4 stroke	
Combustion system	Direct injection	
Compression ratio	16.8:1	
Rotation	Anti-clockwise, viewed on flywheel	
Total lubricating capacity	13-16 litres	3.4-4.2 US gal
Cooling system	Liquid	
Total coolant capacity	15.2 litres	4 US gal

www.perkins.com

Photographs are for illustrative purposes only and may not reflect final specification. All information in this document is substantially correct at time of printing and may be altered subsequently. Final weight and dimensions will depend on completed specification.

Publication No. PN3065/12/14 Produced in England ©2014 Perkins Engines Company Limited

 **Perkins®**

THE HEART OF EVERY GREAT MACHINE

1100 Series 1106D-E70TA IOPU

116-205 kW / 156-275 hp

Features and benefits

Powered by your needs

- The Perkins 1106D-E70TA delivers up to 205 kW (275 hp) and over 1000 Nm (770 lb-ft) of torque, providing greater productivity through an improved power to weight ratio
- The 1106D-E70TA IOPU offers a choice of build configurations to match the power needs of customers for a diverse range of applications, including a range of SAE 1, 2 and 3 flywheel housings, enabling the product to be tailored to specific customer needs

State-of-the-art design

- The 1106D-E70TA IOPU incorporates the latest common rail fuel system technologies with a closely optimised air-management system which is overseen by the latest generation of electronic engine control. This allows the 1106D-E70 range to deliver high power density and excellent fuel economy with low exhaust emissions and the minimum of heat rejection

Worldwide power solution

- Excellent fuel economy and low heat rejection, allowing customers to use a more compact cooling group
- The new common rail fuel system delivers world-class robustness and packaged with the new filtration system, excellent tolerance to the different fuel qualities around the world. These fuels include aviation and biofuel (using biofuel that complies with Perkins standards). Options are available to meet local market needs
- Noise levels have been reduced from the previous 6 cylinder model by up to 1 dB at low idle

Lower installation costs

- The Perkins 1106D-E70TA maintains the same package size and variety of hook-up points as the current 1100 Series and 1200 Series platforms. This commonality reduces the cost impact for the customer during the changeover process

Lower operating costs

- The 1106D maintains Tier 2 / Stage II fuel economy. This will allow many customers to keep existing fuel tanks, avoiding the need for costly redesign
- Service intervals are 500 hours standard
- **Warranties and Service Contracts**
We provide one-year warranties for constant speed engines and two-year warranties for variable speed models, as standard. These are supported by multilevel Extended Service Contracts that can be bought additionally
Discover more: www.perkins.esc
- Low usage warranty package is also available

Long-term power solution

- The 1106D range has been designed to fully comply with stringent Tier 3 / Stage IIIA emissions regulations, providing an emissions compliant power solution for the future

Product support

- With highly trained Perkins distributors in thousands of communities in over 180 countries, you are never far away from expert product knowledge, genuine parts and a range of advanced diagnostic technology for keeping your engine in peak condition
- To find your local distributor: www.perkins.com/distributor

www.perkins.com

Photographs are for illustrative purposes only and may not reflect final specification.
All information in this document is substantially correct at time of printing and may be altered subsequently.
Final weight and dimensions will depend on completed specification.

Publication No. PN3065/12/14 Produced in England ©2014 Perkins Engines Company Limited

 **Perkins**®

THE HEART OF EVERY GREAT MACHINE

1100 Series 1106D-E70TA IOPU

116-205 kW / 156-275 hp

Technical information

Air inlet

- Mounted air filter and turbocharger

Cooling system

- Fan (pusher or puller)
- Fan drive
- Radiator
- Water pump

Electrical equipment

- Alternator (12 or 24 volt)
- Starter motor (12 or 24 volt)

Flywheel and housing

- Flywheel
- SAE 3, 2, 1 flywheel housing

Fuel system

- Fuel filter

Lubrication system

- Oil cooler and filter
- Timing case oil filler

Mountings

- Engine mounting brackets

PTO capability

- SAE A front PTO

Starting aids

- Glow plugs

Option groups

The 1106D-E70TA IOPU offers a wide choice of standard build specifications to meet specific customer needs:

- 12 or 24 volt alternator
- Pusher or puller fan
- SAE A front PTO (147 Nm continuous/210 Nm intermittent)

www.perkins.com

Photographs are for illustrative purposes only and may not reflect final specification.
All information in this document is substantially correct at time of printing and may be altered subsequently.
Final weight and dimensions will depend on completed specification.

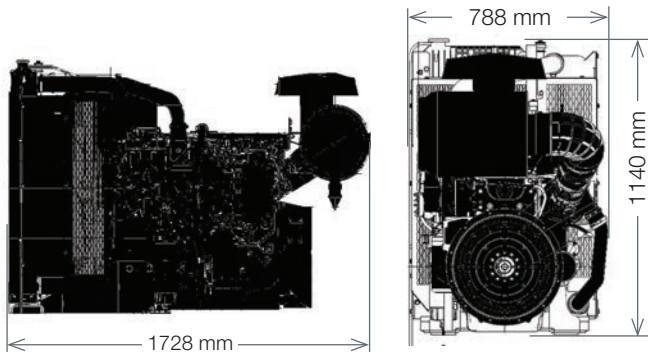
Publication No. PN3065/12/14 Produced in England ©2014 Perkins Engines Company Limited

 **Perkins**[®]

THE HEART OF EVERY GREAT MACHINE

1100 Series 1106D-E70TA IOPU

116-205 kW / 156-275 hp



Engine package weights and dimensions

Engine package weights and dimensions		
Length	1728 mm	68 in
Width	788 mm	31 in
Height	1140 mm	44.9 in
Weight (dry)	788 kg	1737 lb

www.perkins.com

Photographs are for illustrative purposes only and may not reflect final specification.
All information in this document is substantially correct at time of printing and may be altered subsequently.
Final weight and dimensions will depend on completed specification.

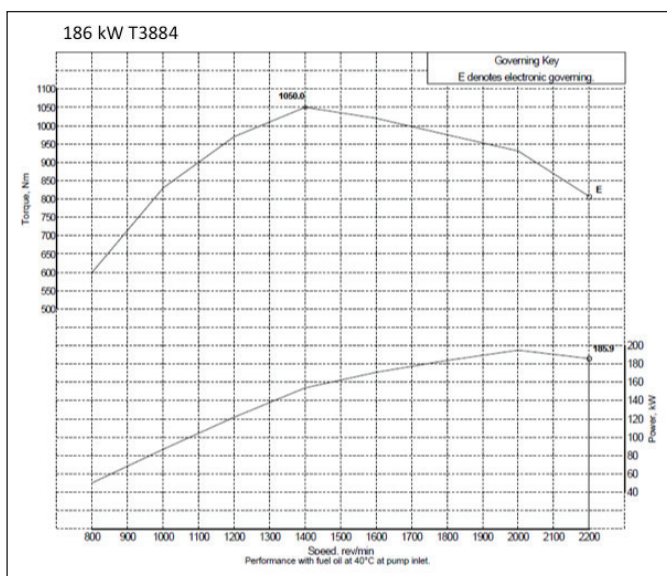
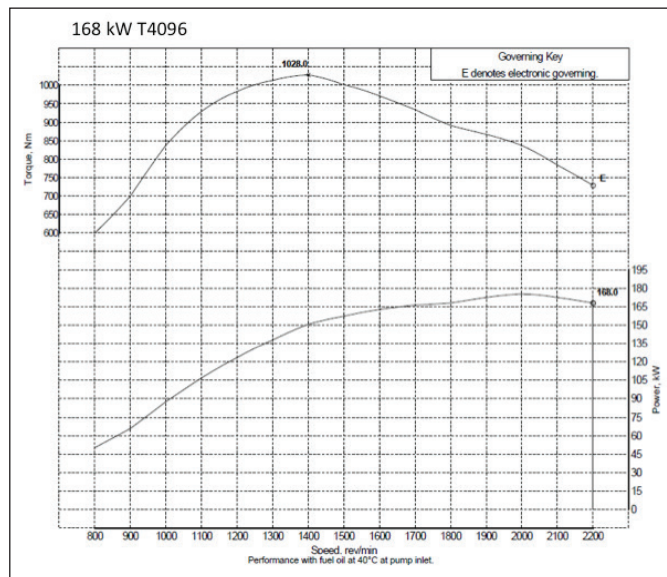
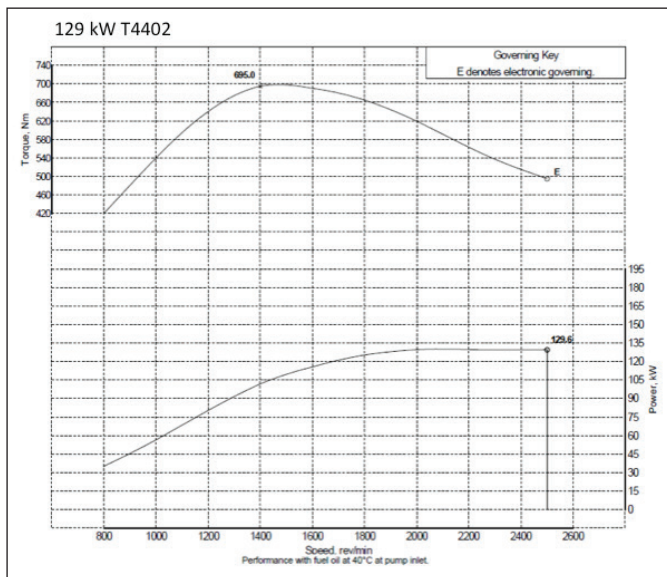
Publication No. PN3065/12/14 Produced in England ©2014 Perkins Engines Company Limited

 **Perkins**[®]

THE HEART OF EVERY GREAT MACHINE

1100 Series 1106D-E70TA IOPU

116-205 kW / 156-275 hp



Speed rpm	Power kW	Power hp	Speed rpm	Torque Nm	Torque lb-ft	Rating type
2200	116	156	1400	706	520	C
2200	*129	173	1400	800	590	C
2200	151	202	1400	922	680	C
2200	*168	225	1400	1028	758	C
2200	*186	249	1400	1050	774	C
2200	205	275	1400	1050	774	C

* curve shown

www.perkins.com

Photographs are for illustrative purposes only and may not reflect final specification. All information in this document is substantially correct at time of printing and may be altered subsequently. Final weight and dimensions will depend on completed specification.

Publication No. PN3065/12/14 Produced in England ©2014 Perkins Engines Company Limited



THE HEART OF EVERY GREAT MACHINE